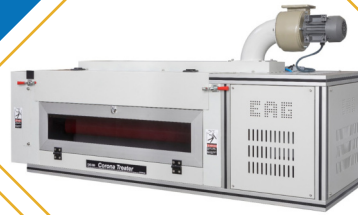
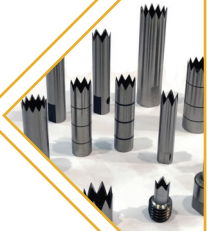
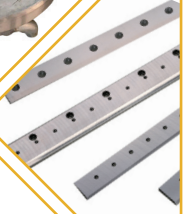


ELES MAKİNA CATALOG



ELES

ELES PLASTİK MAKİNA OTOMASYON SAN. ve TİC. LTD. ŞTİ.

About ELES

Dear Madams and Sirs,

- Plastic Bag and Film Producers,
 - Flexible Packaging Producers,
- First of all I wanna introduce myself to you.
- My Name is Esat M. Gürsu.
 - I'm from Istanbul Türkiye (Turkey)
 - I am an Electronics and Electronical Engineer.
 - My family company Gur-is Machinery Company

www.gur-is.eu which is bag cutting and sealing machine manufacturer company where i have worked almost all my bussines life before 2020 year in there as

- Sales Director (2003-2012),
- Remote Technical Support Director (2003-2020)
- R&D Membership (2003-2020) etc. positions.
- That is why Maybe you know me from my family company Gur-is Machinery Company www.gur-is.eu
- In 2020 year, i mean 4 years ago, I established my own machine manufacturing, trading and exporting company as Eles Machinery Company.
- With My deep technical and commercial experience in Technics, Sales and Exporting plastic bag production machines and equipments area we are working with all of the world as I have wide communication abilities such as I speak English and Russian Languages and I have also knowledge in German and Spanish Languages.
- Please ask an offer from us too when you will make an investment in plastic bag production area for below machines and equipments and more others too

Best Regards,
Esat M. GURSU
Company Owner
Eles Plastik Makina Otomasyon San. ve Tic. Ltd. Sti.

The Content

Plastic Bag Corona Treater	04 - 05
Woven Bag Corona Treater	06
Single Colour Inline Flexo Printers	07-09
Reel Lifting Equipments	10-12
Plastic Granule Mixer	13
2 Colours Flexo Printing Machine	14
Duplex System Slitter Rewinder Machine	15
Manual Paper Core Cutting Machines	16
Semi Automatic Core Cutter Machine	17
Semi Automatic Core Cutter Machine With CE Covers	18
Fully Automatic Paper Core Cutting Machine With Auto Loading and Auto Unliading	19
Other Products	20
Accessories	21
Spare Parts	22-23

Plastic Bag Corona Treater

Corona Treaters for Blown Film Extruders

- Blown Film Extruder Corona Treater,
- Sheet Extruder Corona Treater,
- Label Corona Treater,
- Flexo Printing Machine Corona Treater,



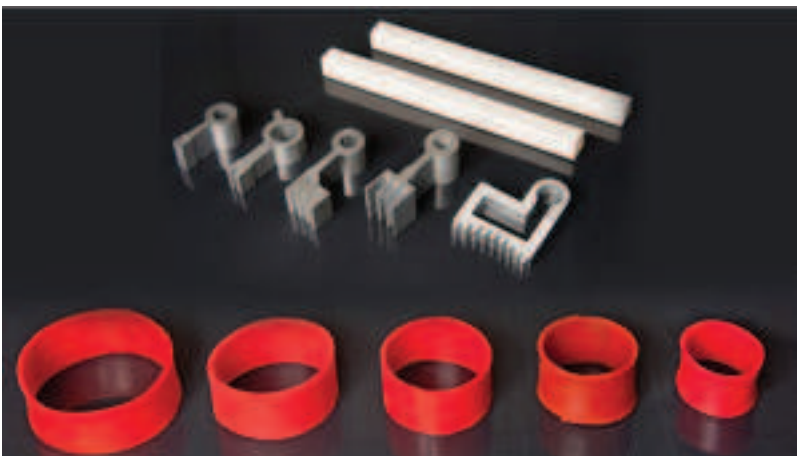
Type	Roller Width (mm)	Electrode Width (mm)	Segmented Electrodes (Piano Keys)	Aluminium Roller and Silicone Sleeve	Material Type (None Conductive)	Application	Zero Speed Sensor	Output Power Control
EAG-600	600	600	Yes	Yes	PE, HDPE, LDPE, PP	Plastic Film Extrusions	Yes	Yes
EAG-700	700	700	Yes	Yes	PE, HDPE, LDPE, PP	Plastic Film Extrusions	Yes	Yes
EAG-800	800	800	Yes	Yes	PE, HDPE, LDPE, PP	Plastic Film Extrusions	Yes	Yes
EAG-900	900	900	Yes	Yes	PE, HDPE, LDPE, PP	Plastic Film Extrusions	Yes	Yes
EAG-1000	1000	1000	Yes	Yes	PE, HDPE, LDPE, PP	Plastic Film Extrusions	Yes	Yes
EAG-1100	1100	1100	Yes	Yes	PE, HDPE, LDPE, PP	Plastic Film Extrusions	Yes	Yes
EAG-1200	1200	1200	Yes	Yes	PE, HDPE, LDPE, PP	Plastic Film Extrusions	Yes	Yes
EAG-1300	1300	1300	Yes	Yes	PE, HDPE, LDPE, PP	Plastic Film Extrusions	Yes	Yes
EAG-1400	1400	1400	Yes	Yes	PE, HDPE, LDPE, PP	Plastic Film Extrusions	Yes	Yes
EAG-1500	1500	1500	Yes	Yes	PE, HDPE, LDPE, PP	Plastic Film Extrusions	Yes	Yes
EAG-1600	1600	1600	Yes	Yes	PE, HDPE, LDPE, PP	Plastic Film Extrusions	Yes	Yes
EAG-1700	1700	1700	Yes	Yes	PE, HDPE, LDPE, PP	Plastic Film Extrusions	Yes	Yes
EAG-1800	1800	1800	Yes	Yes	PE, HDPE, LDPE, PP	Plastic Film Extrusions	Yes	Yes
EAG-1900	1900	1900	Yes	Yes	PE, HDPE, LDPE, PP	Plastic Film Extrusions	Yes	Yes
EAG-2000	2000	2000	Yes	Yes	PE, HDPE, LDPE, PP	Plastic Film Extrusions	Yes	Yes
EAG-2100	2100	2100	Yes	Yes	PE, HDPE, LDPE, PP	Plastic Film Extrusions	Yes	Yes
EAG-2200	2200	2200	Yes	Yes	PE, HDPE, LDPE, PP	Plastic Film Extrusions	Yes	Yes
EAG-2300	2300	2300	Yes	Yes	PE, HDPE, LDPE, PP	Plastic Film Extrusions	Yes	Yes
EAG-2400	2400	2400	Yes	Yes	PE, HDPE, LDPE, PP	Plastic Film Extrusions	Yes	Yes
EAG-2500	2500	2500	Yes	Yes	PE, HDPE, LDPE, PP	Plastic Film Extrusions	Yes	Yes
EAG-2600	2600	2600	Yes	Yes	PE, HDPE, LDPE, PP	Plastic Film Extrusions	Yes	Yes

Plastic Bag Corona Treater

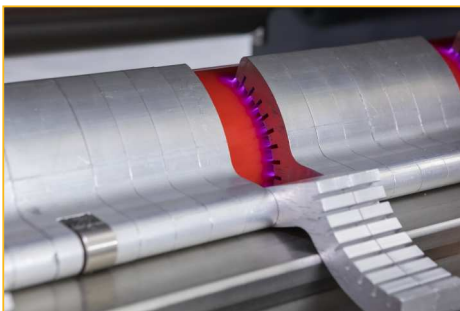
Technical Information

- Aluminium Electrode with Aluminium Roll and Silicon Sleeve for None-Conductive Material (LDPE,HDPE,PP,OPP etc)
- Single Surface or Both 2 Surfaces treatment
- Zero Speed Sensor in order to know if the web is broken or not
- Oil Cooled High Voltage Transformer
- Ozone Extractor Blower (AC Motor type)
- Different Voltage Levels are possible depen on the country voltage level, 1 Phase 110-120-220-230 Volts or 3 Phases 220-230-380-400-415 Volts
- For 50-60 Hz Frequency Input
- Pot in order to control output power
- Output Current Indicator
- Audio Indicators for a Short circuit, Film Broken, no output etc.
- No Power on ouput if there is a Short circuit, Film Broken etc.

Silicone Sleeve for Corona Treater / Dielectric Sleeve for Corona Treatment



Woven Bag Corona Treater



Single Colour Inline Flexo Printers

EMP Type Single Colour Flexo Equipment

Printing Width: 150-400 mm.
Printing Repeat: 300-700 mm



Inline Printers are equipped in blown film extruders in order to print single colour prints easily and in low cost without needs of extra roll to roll flexo printing machine.

Blown Film Extruders can be HDPE or LDPE both for this application. As an experienced Turkish company we supply quality, robust, reliable inline flexo printers for blown film extruders.

TECHNICAL SPECIFICATIONS

TYPE	EMP-15	EMP-20	EMP-25	EMP-30	EMP-35	EMP-40
Printing Width	15 cm	20 cm	25 cm	30 cm	35 cm	40 cm
Print Repeat	Between 40-70 cm					
Fixed Print Repeat	Yes					
Minimum Bag Width	15+14= 29 cm	20+14= 34 cm	25+14= 39 cm	30+14= 44 cm	35+14= 49 cm	40+14= 54 cm
Cliche Thickness	2.84 mm					
Sticky Paper Thickness	0.5 mm					

Single Colour Inline Flexo Printers

EMBM Type Single Colours Inline Flexo Printer Machine with Changeable Print Repeat



TECHNICAL INFORMATION

MODEL NO	EMBM-40/50	EMBM-50/50	EMBM-60/50
Printing Width	Max. 400 mm	Max. 500 mm	Max. 600 mm
Print Repeat	500 mm changeable		
Anilox Type	Chrome Metal Anilox, 80 lines		
Rubber Roller Ink Metering System			
Cliché Thickness	2.84 mm		
Sticky Paper Thickness	0.30-0.50 mm		
There is ac motor driven feeder motor.			
Including Japanese Made Ink Pump and Stainless Steel Ink Container.			
Packaging	Included Wooden Box		
Origin	Made in Turkey.		
Status	New and Unused.		
Guarantee	1(one) Year Parts Guaranty		

TECHNICAL SPECIFICATIONS

TYPE	EMBM-35	EMBM-40	EMBM-45	EMBM-50	EMBM-55	EMBM-60
Printing Width	35 cm	40 cm	45 cm	50 cm	55 cm	60 cm
Print Repeat	Between 40-70 cm					
Changeable Print Repeat	Yes					
Minimum Bag Width	No limit					
Cliche Thickness	2.84 mm					
Sticky Paper Thickness	0.5 mm					



MR-600/80 Manual Reel Lifter

MRS-600/80 Manual Reel Lifter With Scales (Weight Measure)



MR-600/80 Manual Reel Lifter 600 kg Lifting Weight

- MR-600/80 Manual Hydraulic Reel Lifting Equipment With 80 cm Lifting Height
- MR-600/110 Manual Hydraulic Reel Lifting Equipment With 110 cm Lifting Height

MRS-600/80 Manual Reel Lifter With Scales (Weight Measure)

- MRS-600/80 Manual Hydraulic Reel Lifting Equipment With Weight Measuring Ability and With Weight Measuring Ability (80 cm Lifting Height Model)
- MRS-600/110 Manual Hydraulic Reel Lifting Equipment With Weight Measuring Ability and With Weight Measuring Ability (110 cm Lifting Height Model)

Technical Specifications

	MR-600/80	MRS-600/80
Maximum Lift Height	800 mm (1100 mm optional) It is the distance from the ground to the bottom of the Roll.	
Minimum Lowering Height	130 mm. It is standard. It is the distance from the ground to the bottom of the Roll.	
Lifting Capacity	600 kg. Net Lift Weight. The Hydraulic System is more powerful than that. It can handle 600 kg weight easily.	
Width	600 mm. This is the Width of the Device. It can handle Narrow Rolls which is smaller than 600 mm or Wider Rolls which is bigger than 600 mm.	
Packaged Loading Dimensions	150 cm x 80 cm x 140 cm (LWH)	150 cm x 80 cm x 150 cm (LWH)
Packaged Loading Weight	230 kg	240 kg

Descriptions

MR-600/80	MRS-600/80
There is no electricity in the system.	Weight Measuring Ability with a Digital Screen. There is no electricity in the lifting system.

It has a hydraulic system for lifting and lowering.

Hydraulic System with the Assistance of a Lever used by the operator.
Both forward and reverse motion of Lever gives the lifting results.

The device on the wheels is pushed back and forth by hand.

Roll transport have a system which allows to keep the roll in place or let the roll in safe. That hydraulic mechanism makes movements upholding and releasing the roll. That System is located on the front the front of the reel lifting equipment.

MRB 800/80 Reel Lifter With Battery Charging MRBS 800/80 Reel Lifter With Battery Charging and Scales



MRB 800/80 Reel Lifter With Battery Charging

- MRB800/80 Reel Lifter With Battery Charging MRB800/80 Reel Lifting Equipment With Battery and Charging Ability (80 cm Lifting Height Model)
- MRB800/110 Reel Lifting Equipment With Battery and Charging Ability (110 cm Lifting Height Model)

MRBS 800/80 Reel Lifter With Battery Charging and Scales

- MRBS 800/80 Reel Lifting Equipment With Battery and Charging Ability and With Weight Measuring Ability (80 cm Lifting Height Model)
- MRBS 800/1100 Reel Lifting Equipment With Battery and Charging Ability and With Weight Measuring Ability (110 cm Lifting Height Model)

Technical Specifications

	MRB 800/80	MRBS 800/80
Lifting Height from Ground	800 mm (1100 mm optional)	
Minimum Height from Ground	130 mm	
Lifting Capacity	800 kg	
Width	600 mm	
Battery Brand	German Brands Bosch or Varta	
Charging Time	8 Hours. There is Digital Battery Level Indicator.	
Charging Voltage	Single Phase 220-230 Volts 50-60 Hz or optionally 110-120 Volts 50-60 Hz	
Packaging Sizes	150 cm x 80 cm x 160 cm (LWH)	150 cm x 80 cm x 170 cm (LWH)
Packaging Weight	285 kg	300 kg

Descriptions

MRB 800/80	MRBS 800/80
	Weight Measuring Ability with a Digital Screen.
It has a hydro-electric system for lifting and lowering up and down.	
Mono Phase-Single Phase Battery Charge with 220-230 Volt 50-60 Hz voltage.	
Charging System is in the device.	
There is a Charge Indicator on the Device.	
Cordless Electric System(Battery Powered) is only used for Lifting.	
The device on the wheels is pushed back and forth by hand.	
Roll transport have a system which allows to keep the roll in place or to let the roll in safe.	
That hydraulic mechanism makes movements upholding and releasing the roll.	
That System is located on the front the front of the reel lifting equipment.	

Reel Lifting Equipments

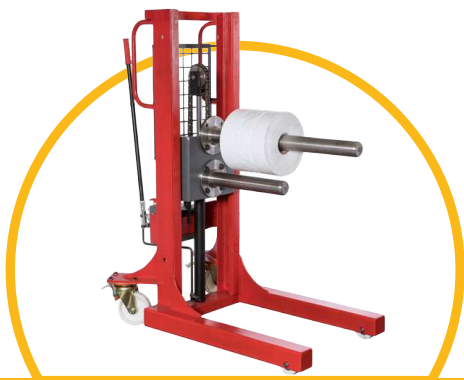
With Reel Lifting Equipment you can lift reels in a much easier and more ergonomic way than you used to. These lifters are designed to handle rolls, reels and similar long cylindrical materials, where the center of gravity is within the reel, roll or cylinder. Reel Lifting Equipment is specifically designed to handle rolls, reels and similar long cylindrical materials. Please find our modern, reliable, robust designing, manufacturing and installing reel lifting equipments.



LA-150 Mini Label Reel Lifting Equipment



LT-150 Mini Label Reel Turner Equipment



LS-250 Label Reel Lifting Equipment With Shaft



LB-250 Label Reel Lifting Equipment With Base



MRE-600/80 - MRE-600/110



STB-1500 Pallet Stacking Machine With Battery and Charger

Plastic Granule Mixer

Product Code: EMMX-500:

Product Name : 500 Kg Capacity Plastic Granule Mixer

Screw Diameter: 150 mm

Screw Pitch: 150 mm

Screw Height: 2200 mm

Mixer Volume: 1.000 liter

Motor Power: 3 Hp

Motor Speed: 1500 rpm

Vee Belt Drive System

Motor is equipped with a Thermic Shalter

Each Loading-Charging Capacity is 500 kg PE Granule to mix

It is equipped with Loading-Charging Hopper where easily can be empty the granule bag.

It is equipped with Unloading-Discharging Valve Lever that helps to discharge the mixed granule to the bag or any container.

Discharging part and covers are made with sponge type powder proof valve lever.



2 Colours Flexo Printing Machine

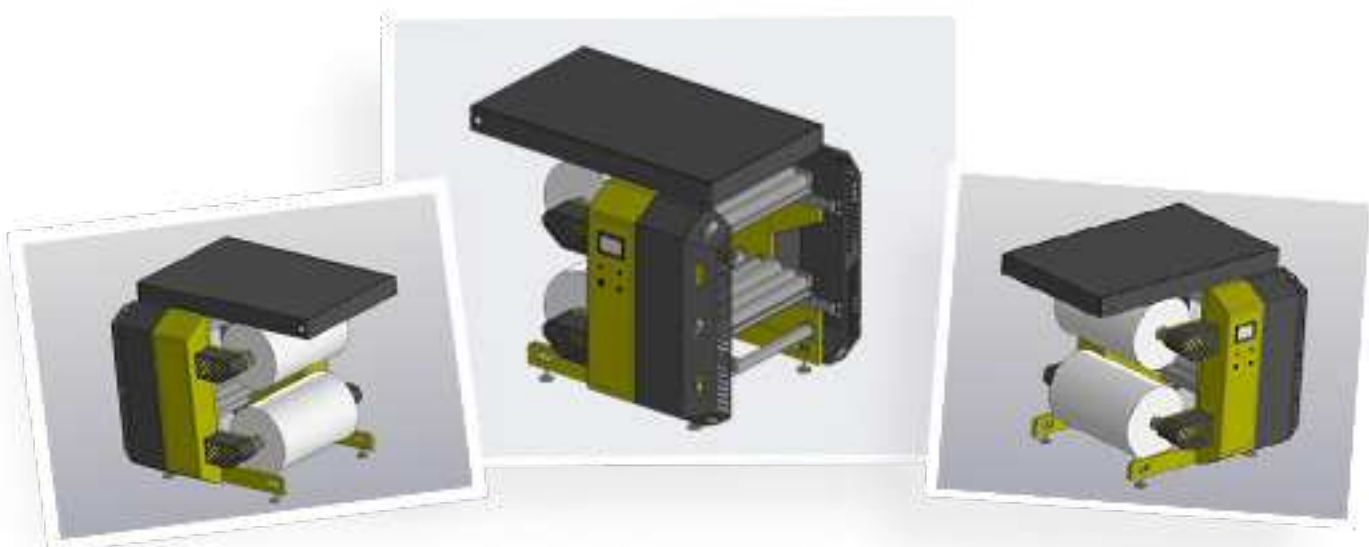
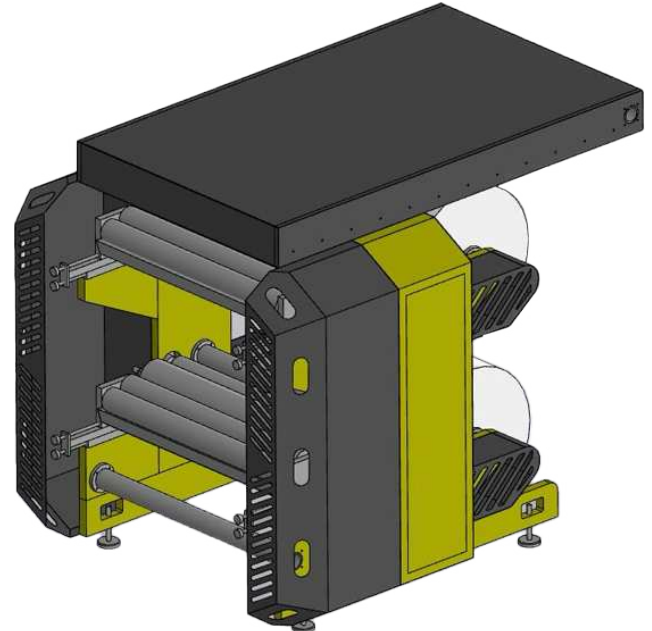
Machine Model:

EMP-1100/2

Machine Name:

TWO COLOURS FLEXO PRINTING MACHINE

- 2 Colors Flexo Printing Machine,
- 2+0 / 1+1 Printing Types,
- 150 meter/minute Speed,
- Magnetic Powder Brake System in unwinder unit,
- One Reel Unwinder and One Reel Rewinder Units,
- 1100 mm Printing Width - 1200 mm Product Width, 1300 mm Idler Roller Width
- Rubber Rollers And Chrome Anilox Printing System,
- Servo Motors in each colour section, servo motor in rewinder for Motions System,
- Safety Chucks (Strong and High Speed Resistant) in unwinder unit,
- 3 inches (76 mm) Air Shaft (Strong and High Speed Resistant) in unwinder unit,
- Heated or not Heated Strong Blowing System for Drying System,
- Print-Cliche Roll Lifting System lifts the print-cliche roller up when the machine stops,
- 1 set Any Size Print-Cliche Rolls is free,
- Automatic Edge Control in Unwinder,
- Automatic Tension Control in Rewinder, with ballerina-dancer system tension control,
- Automatic Tension Control in Unwinder, with tension loadcell control,



Duplex System Slitter Rewinder Machine

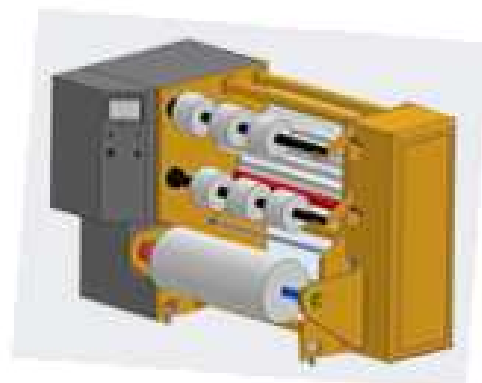
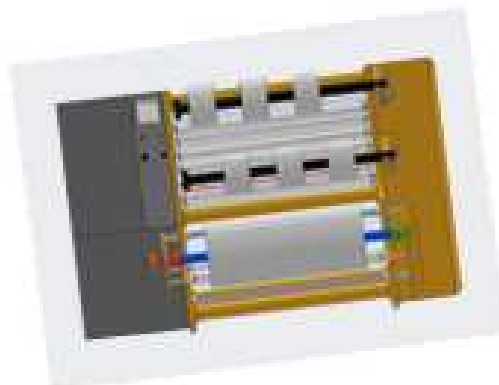
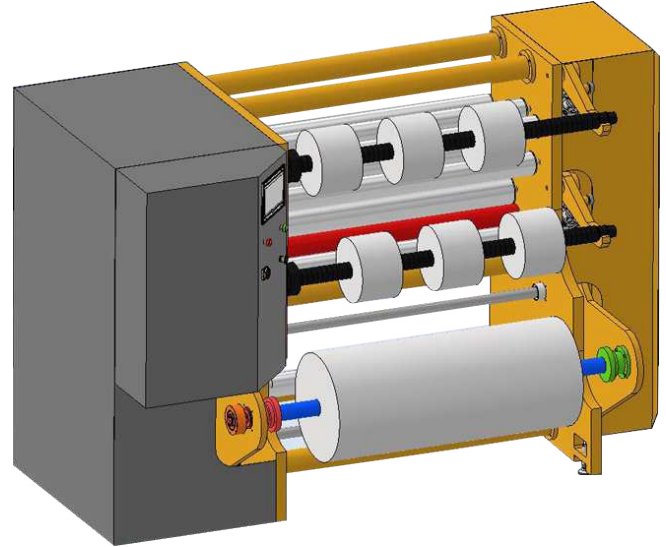
Machine Model:

EMS-1300

Machine Name:

SLITTER AND REWINDER MACHINE

- 1200 mm Material Width,
- 1300 mm Idler Roller Width
- One Reel on Air Shaft of Unwinder Area
- Tottally two servo motors in rewinder area.
- 400 meter/minute Machine Mechanical Speed,.
- Magnetic Powder Brake System on Unwinder,
- Multi Reels on Two Friction Shafts of Rewinder Area
- Rubber Roller, Chrome Metal Roller in Main Roller which is driven by servo motor,
- Servo Motor driven friction shafts in one of the each two rewinder sections,
- Real Working Speed depend on the material quality and other conditions.
- Safety Chucks (Strong and High Speed Resistant) On Unwinder Units locks the air shaft and turn it.
- 3 inches (76 mm) Air Shaft (Strong and High Speed Resistant) on Unwinder Unit,
- 10 pcs. Straight(Razor) Cutting Knives and 5 pcs. Round Cutting Kinves Usage Ability,
- Edge Trim Waste Vacuum Blowing System,
- Automatic Edge Control in Unwinder,
- With Servo Torque Mode, Automatic Tension Control in each of the shafts of Rewinder,
- With Loadcell Tension Control Mode, Automatic Tension Control in Unwinder,
- 10 inches Touch Screen Control Unit,



Manual Paper Core Cutting Machines



There is a start button and stop button for rotation of three-phase ac motor. Pulleys and belt helps rotate the metal shaft which is covered with polyamide material sleeves in order to enlarge the lifetime of the round knife. There is needles on the metal shaft.

Operator locks the core to the needles of the metal shaft. When the motor rotates the metals shaft, it rotates the core (which is locked to the needles on the shaft) too. There is a round cutting knife for cutting operation.



Semi Automatic Core Cutter Machine



Technical Details:

- The cutting thickness is up to 15 mm on one side.
- There is a polyamide material in our shaft.
- Cutting area width is 1 m, 1,5 m or 2 m depend on the model.
- The core length is 1, 1,5 or 2 meters long depend on the model.
- Cutting is done automatically
- There is a mechanical limiter to prevent the polyamide from being damaged during the cutting process. Cutting Depth to Poliamid is adjustable.
- There is Three-phase ac motor for rotating the tubes. (with the belt pulley from the AC three-phase motor,) the shaft made metal and covered with polyamide.
- Pneumatical Activated Support from side to prevent long and heavy cores from sagging
- Cutting Positioning is made automatically with PLC , Touch Screen and Servo Motor-Driver

Working System

When the motor rotates, the core is locked to the nails connected to metal which is rotated by motor so that the core can also rotate. When core rotates, the automatically made pneumatic cutting operation is done. the cutting point selections are done according to the core lengths which is given on the touch screen values and operations of positioning is done with the help of servo motor.

Semi Automatic Core Cutter Machine With CE Covers



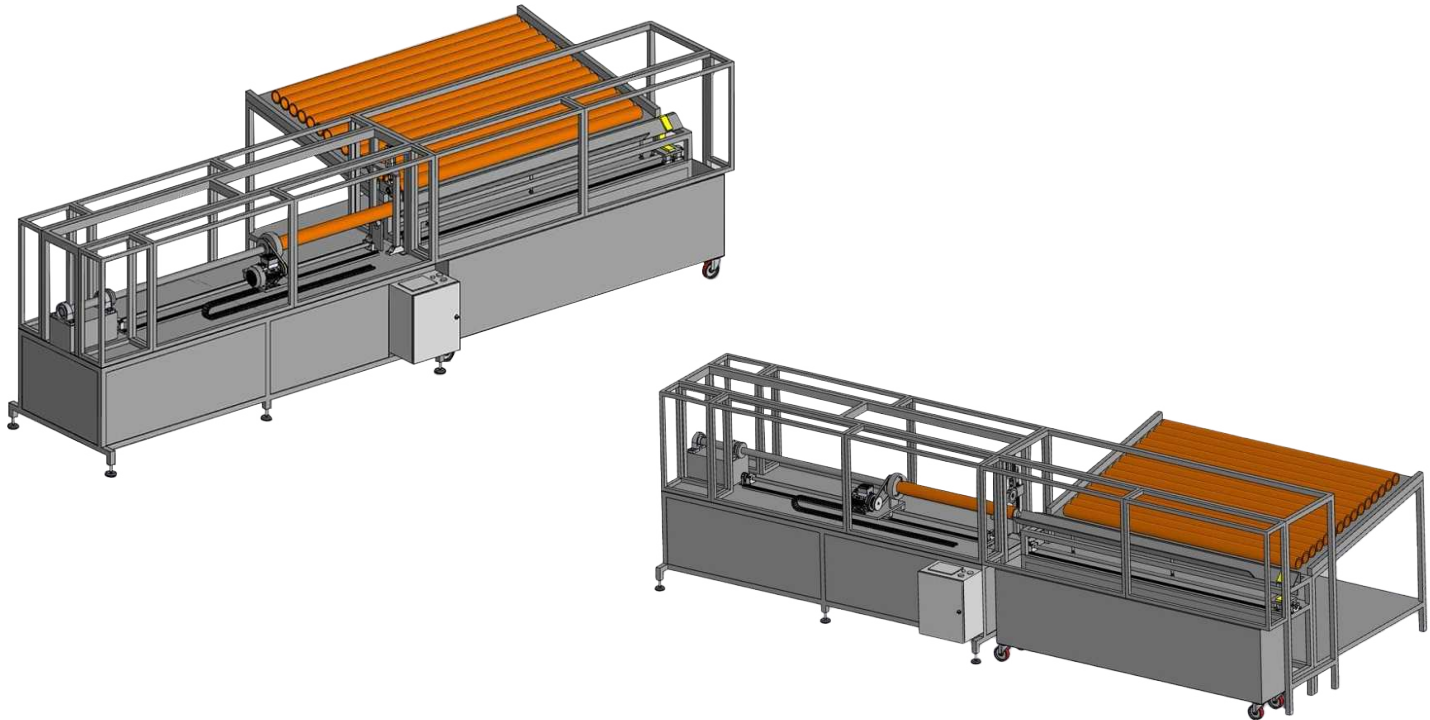
Technical Details:

- The cutting thickness is up to 15 mm on one side.
- There is a polyamide material in our shaft.
- Cutting area width is 1 m, 1,5 m or 2 m depend on the model.
- The core length is 1, 1,5 or 2 meters long depend on the model.
- Cutting is done automatically
- There is a mechanical limiter to prevent the polyamide from being damaged during the cutting process. Cutting Depth to Poliamid is adjustable.
- There is Three-phase ac motor for rotating the tubes. (with the belt pulley from the AC three-phase motor,) the shaft made metal and covered with polyamide.
- Pneumatical Activated Support from side to prevent long and heavy cores from sagging
- Cutting Positioning is made automatically with PLC , Touch Screen and Servo Motor-Driver

Working System

When the motor rotates, the core is locked to the nails connected to metal which is rotated by motor so that the core can also rotate. When core rotates, the automatically made pneumatic cutting operation is done. the cutting point selections are done according to the core lengths which is given on the touch screen values and operations of positioning is done with the help of servo motor.

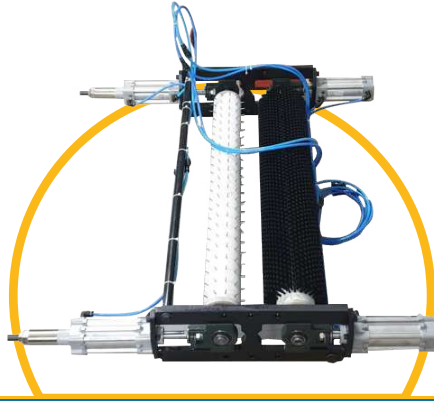
Fully Automatic Paper Core Cutting Machine With Auto Loading and Auto Unloading



Description

- The cutting thickness is up to 15 mm on one side.
- There is a polyamide material on the shaft under the knife. Therefore knife life is longer.
- Cutting area length is 2 m.
- Cutting operation is done vertically and pneumatically (optionally by servo motor) with a round knife
- Cutting position adjustment is done servo motor driven according to the set paper core lengths on the touch screen
- The core length is 2 meter long
- Loading is done by servo motor driven system and pneumatic
- Pneumatic core keeper system in order to lock the core to the rotation movement.
- Cutting operation is done pneumatically/automatically.
- Optionally cutting system is servo motor driven instead of fully pneumatic system.
- There is a mechanical support under the shaft in the knife area with a mechanical limiter to adjust the shaft as horizontally and to prevent long and heavy cores from sagging
- There is a mechanical adjustment on the knife with a mechanical limiter to adjust cutting depth to polyamide
- There is a three-phase AC motor for the rotation of the tubes. (with the belt pulley from the AC three-phase motor.)
- The shaft is made of metal and covered with polyamide in the support-knife area
- Cutting positioning precise adjustment is made automatically with PLC, touch screen and servo motor driven control system.
- Control system (PLC, touch screen, servo motor and servo drivers) is from Japanese Mitsubishi

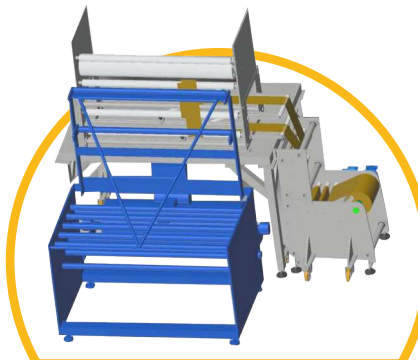
Other Products



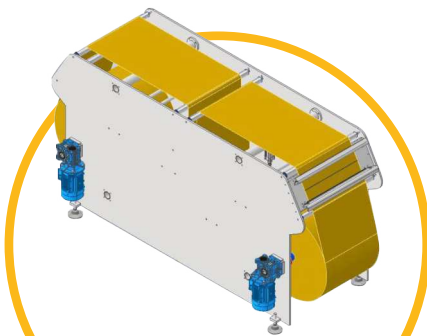
Cold Perforation Roller With Brush Roller



Cold Perforation Roller



Pocket Attaching Equipment for Courier Bag Making Machines



Roll to Roll Unwinding Rewinding Machine (Doctoring Machine)



Banana Roller (Bowed Roll)



Aluminium Idle Roller

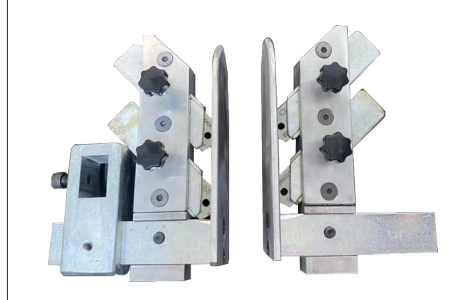


Other Rollers & Cylinders & Air Shafts etc.
(Rubber Rollers&Steel Cylinders&Air Shafts etc.)

Accessories



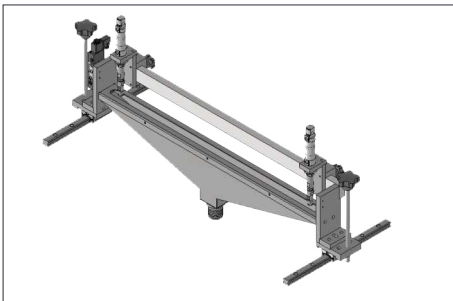
Side Slitting Knife
Side Opening Knife



Front Slitting Knife
(Front Cutting Knife)



Punching Unit (Hole Maker)



Punching Unit Set
(Hole Maker Set)



Complete Die Head
With Air Ring



Air Ring

Spare Parts



Round Disc for Punching Press
of T-Shirt Bag Making Machines



Punching Knives for T-Shirt
Bag Making Machines



Teflon Tape

Spare Parts (Knives / Blades)



Bottom Slitting Knife



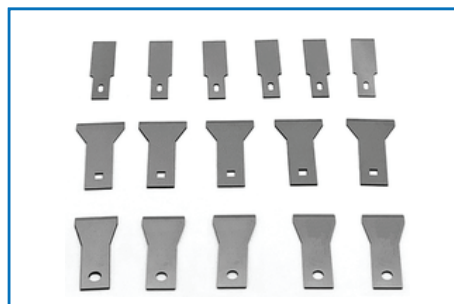
Corrugated Knife



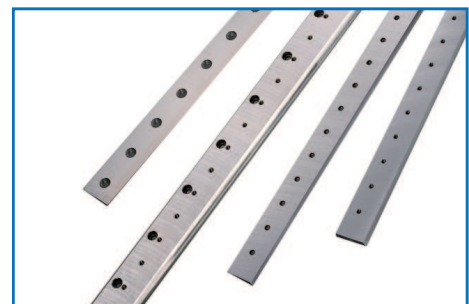
Crusher Knife



Cutter Compactor



Die-Face Cutting Blade



Flying Knife



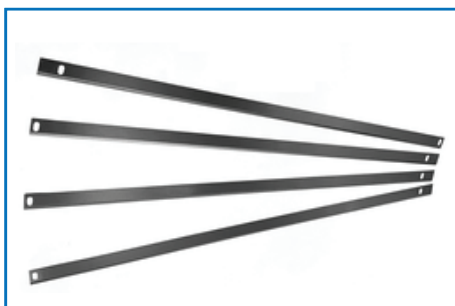
Formed Blade



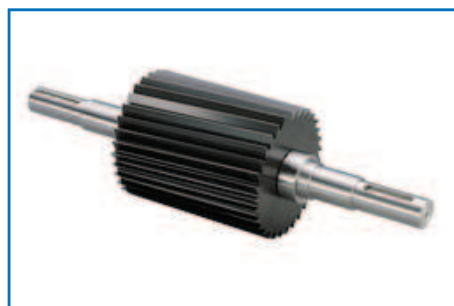
Formed Blade-2



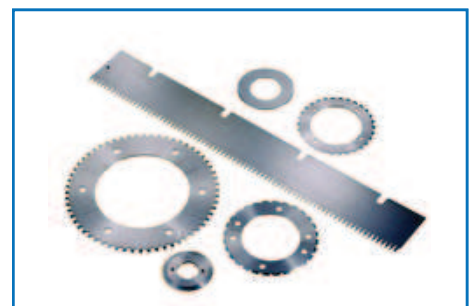
Guillotine Knife



Hot Cutting Knife



Pelletizer Knife



Perforation Knife

Spare Parts (Knives / Blades)



Perforation Knife-2



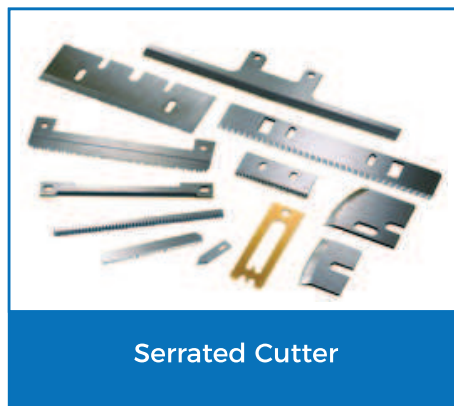
Photooriginal-1



Plastic Film & Bag Cutter



Punching Knife



Serrated Cutter



Serrated Cold Cutting Knife



Shredder Blade
(For Single Shaft Shredder)



Shredder Blade



Slitting Knife



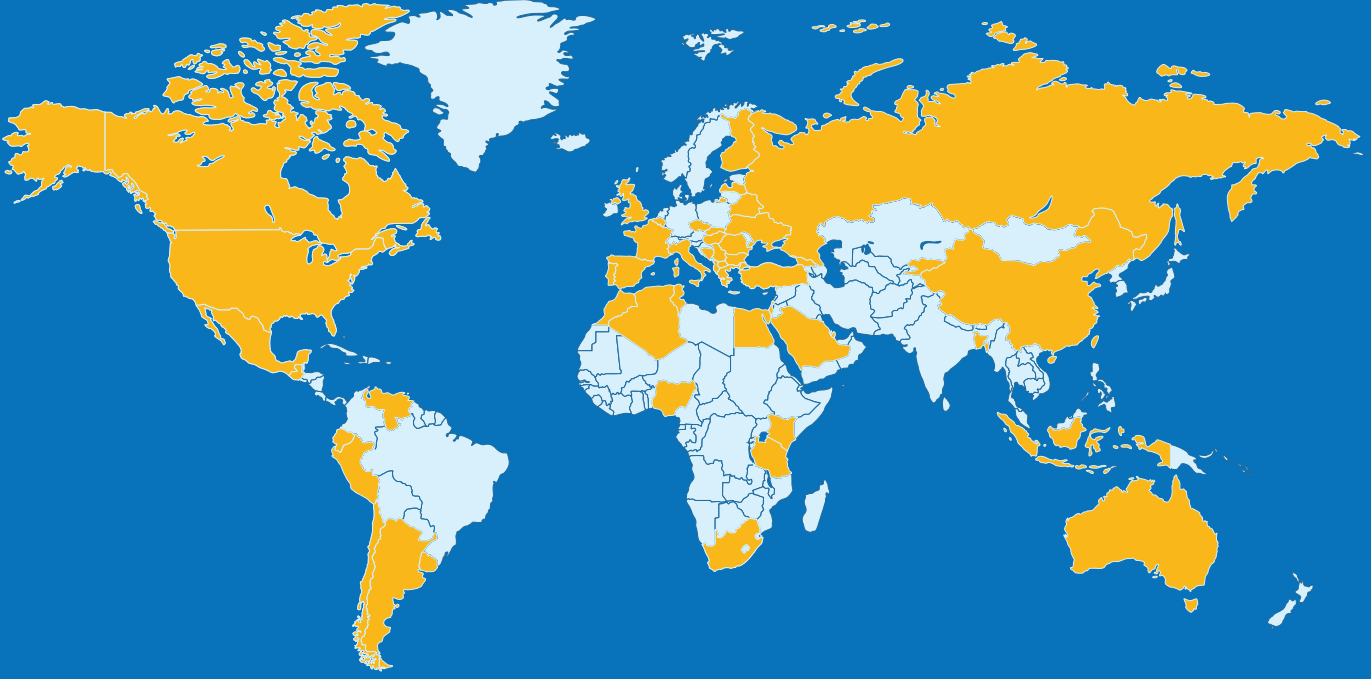
Tissue Blade



Top Slitting Knife



Trimmer Blade For
Rubber Material



ELES PLASTİK MAKİNA OTOMASYON SAN. ve TİC. LTD. ŞTİ.

CONTACT

Location : Beylikduzu/ Istanbul/Turkiye (Turkey)

Mr. Esat's Mobile Phone No : +90 532 223 57 31

Mr. Esat's Whatsapp No : +90 532 223 57 31

Phone : +90 212 951 19 75

E-Mail : info@elesmakina.com

Web Site : www.elesmakina.com